

## Features

- 1/2.7" progressive scan CMOS imager
- Full HD 1080p resolution
- H.264 and MJPEG compression
- Two-way audio
- 18x optical zoom
- Day/night with IR-cut filter
- 24 VAC / 12 VDC; 802.3af PoE (BC820H1 model)
- Micro SD support
- ONVIF compliant
- SFP interface (BC820H1-SFP model)



## BC820H1

### HD box camera with integrated optics

#### Description

The Siqura® BC820H1 is a full-featured network box camera providing high-quality, high-definition images. The integrated 18x optical zoom, auto-focus lens makes for the easiest installation and remote adjustment.

#### Multistream high definition

The BC820H1 series cameras have dual-stream capability for simultaneous streaming of H.264/H.264 or H.264/MJPEG. Full HD 1080p streaming with a D1 second stream or dual 720p streams is possible. Multiple combinations of resolution and frame rate can be configured to satisfy different live viewing and recording scenarios.

#### Open standards

Multiple options are available to easily integrate the BC820H1 to a video management system. In support of open standards, the BC820H1 is compliant with both the ONVIF specification and Siqura's Open Streaming Architecture (OSA) HTTP API.

#### Day/night, backlight compensation, and wide dynamic range

The BC820H1 provides automatic day/night functionality, for use in low light situations. Backlight compensation enhances image visibility in difficult lighting situations. This ensures quality pictures at all times. Wide dynamic range solves the problem of overlit images by taking the better of two pictures with different light references.

#### Power source choices

All BC820H1 models can be powered by 12 VDC or 24 VAC (terminal block). The BC820H1 model also supports powering over the network with 802.3af-compliant PoE sources.

#### Privacy masks

Privacy masks cover sections of the image. This feature is often requested for such situations as city centre surveillance and point of sale keypads.

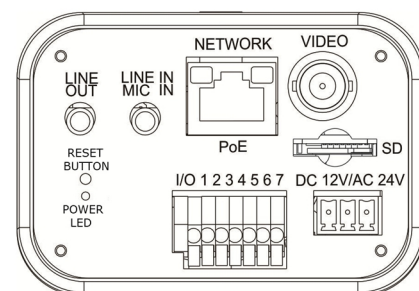
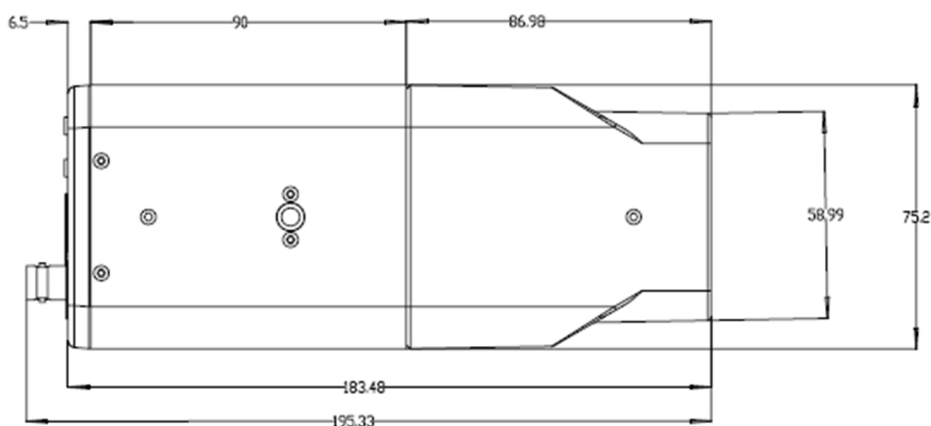
#### SFP interface

The BC820H1-SFP model offers an SFP interface for direct connection of fiber to the camera. The XSNet™ range of SFP modules, with options for both single mode and multimode is available.



# Technical Specifications

## BC820H1



### Camera

Image sensor	1/2.7" progressive scan CMOS
Video standards	PAL/NTSC
Maximum streaming capabilities	
Stream 1	H.264 - 1080p30 H.264 - 1080p15 H.264 - 720p30 MJPEG - 1080p30
Stream 2	H.264 - D1 30fps MJPEG - D1 30fps H.264 - 1080p15 MJPEG - 1080p15 H.264 - 720p30 H.264 - 720p30 MJPEG - 720p30
Output resolutions	1080p (1920x1080); 720p (1280x720); XGA (1024x768); SVGA (800x600); D1 (720x480); VGA (640x480); CIF (352x240)
Effective pixels	1920(H) x 1080(V)
Shutter speed	1 ~ 1/10000 s
Signal-to-noise ratio	>40 dB (AGC off)
Minimum scene illumination	0.2 lux colour, 0.02 lux (b/w)
Horizontal field of view	61.5° wide to 3.3° tele
Focal length	4.7 – 84.6 mm (F1.6 wide, F2.8 tele)
Analog output	BNC 1 Vpp/75 Ω impedance

# Technical Specifications

## BC820H1

### Image control

Wide dynamic range	On/off
WDR value	75 dB
Backlight compensation	On/off
White balance	Auto/manual
Saturation	Manual
Hue	Manual
Exposure	Auto/manual
Brightness	Manual
Contrast	Manual
Sharpness	Manual
3D Noise reduction	On/off
Day/night (IR-cut filter)	Auto/on/off
Optical zoom	18x
Digital zoom	8x

### Functions

Privacy masks	5 solid colour
Image rotation	Normal, flip, mirror, 90° (clockwise, counterclockwise), and 180° rotate

### Video

Number of video streams	2x H.264 or H.264/MJPEG
Compression algorithm(s)	H.264 MP (ISO/IEC 14496-10), MJPEG

### Network

Interface(s)	10/100 Mbps Ethernet (RJ-45)
Protocols	IPv4/v6, TCP/IP, UDP, RTP, RTSP, HTTP, HTTPS, ICMP, FTP, SMTP, DHCP, PPPoE, UPnP, IGMP, SNMP, QoS, ONVIF

### Audio

Two-way audio	Line out, line in/mic in (jack Ø3.5 mm)
Compression	G.711 (µ-law, a-law)/G.726
Input level	Adjustable gain, mic or line level
Output level	Adjustable gain

### Data

Serial port	RS-485 2-wire
Protocols	Pelco D, Pelco P

### Contact closures

Alarm input	1x 5 V 10 kΩ pull-up input
Operational modes	Normally open/normally closed
Triggered actions	Enable output; email message, email image, FTP message, FTP image, record on SD card, API event
Alarm output	Photo relay output 300 VDC/AC

# Technical Specifications

## BC820H1

### Storage

Storage options	Micro SD card, 64 GB
Local recording	Continuous, scheduled, alarm

### Powering

Power consumption	6 W (500 mA)
Power	12 VDC/24 VAC; Power over Ethernet (PoE) (PoE) (BC820H1)
Power adapter (included)	110 - 230 VAC to 12 VDC, 1.5A 50/60Hz

### Environmental

Operating temperature	0 °C to +40 °C (+32 °F to +104 °F)
Relative humidity	10% to 90%, no condensation
MTBF (mean time between failures)	>100,000 hours at 50 °C

### Mechanical (camera)

Dimensions (h x w x d)	183.2 x 80.2 x 52.40 mm (7.22 x 3.16 x 2.1 in)
Weight	450 g (1.0 lbs)
Housing	Aluminium
Colour	Black/Grey

### Ordering information

Models	Description
BC820H1	IP fixed box camera, 1080p, integrated 18x zoom; H.264/ MJPEG, day/night
BC820H1-SFP	IP fixed box camera, 1080p, integrated 18x zoom; H.264/ MJPEG, day/night, SFP interface
PSA-UN12DC with ferrules	Power adapter, 110-230 VAC, 60/50 Hz to 12 VDC, 1.5 A, ferrules, with US/EU/UK plug adapters (included)
WM04	Indoor wall bracket
HSG01	Housing, fixed camera
HSG02	Housing, fixed camera, heater/blower, 24 VAC
HSG03	Housing, fixed camera, IR illuminator, heater/blower, 24 VAC
HSG02LV	Housing, fixed camera, heater/blower, 90-230 VAC
HSG03LV	Housing, fixed camera, IR illuminator, heater/blower, 90-230 VAC
HSG/WALL	Bracket, wall
HSG/POLE	Bracket, pole
HSG/CORNER	Bracket, corner
HSG/CEILING	Bracket, ceiling
HSG/SUN	Sunshield for fixed camera housing



The quality management system used in the development, production, sales, and support of this product is ISO 9001:2008 certified by LRQA.

© Siquira B.V. - January 2013 Version 1.7 - Subject to modification.

