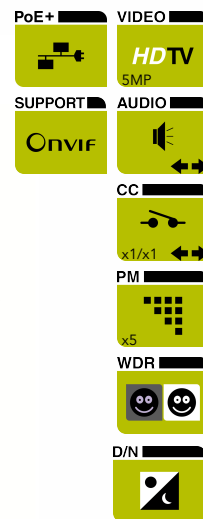


Features

- 1/2.5" Progressive scan CMOS imager
- 3.3 - 10.5 mm Motorised varifocal lens
- 5 Megapixel resolution
- Dual stream H.264/H.264 or H.264/MJPEG
- Day/night with IR-cut filter
- Built-in IR illuminator (effective distance: 25 m)
- IP66 Ingress protection rating
- IK10 Impact rating
- 12 Vdc / 24 Vdc / 24 Vac / 802.3at PoE+
- ONVIF Profile S conformant



FD820M1IRMP5

High-definition 5 MP outdoor fixed dome camera with IR

Description

The Siqura® FD820M1IRMP5 is a 5 Megapixel fixed dome network camera in a vandal-resistant housing with built-in IR illumination providing clear images under any lighting condition. The modular snap-in chassis and motorised lens make the FD820M1IRMP5 easy to install, for both indoor and outdoor applications.

Multistream high definition

The FD820M1IRMP5 camera has dual-stream capability for simultaneous streaming of H.264/H.264 or H.264/MJPEG. Multiple combinations of resolution and frame rate can be configured to satisfy different live viewing and recording scenarios. 5 Megapixel resolution with a D1 second stream or dual 720p full frame rate streaming is possible.

Open standards

Multiple options are available to easily integrate the FD820M1IRMP5 to a video management system. In support of open standards, the FD820M1IRMP5 is compliant with both the ONVIF specification and Siqura's Open Streaming Architecture (OSA) HTTP API.

Day/night, BLC, and WDR

The FD820M1IRMP5 provides automatic day/night functionality for use in low light situations. Backlight compensation (BLC) enhances image visibility in difficult lighting situations. This ensures quality pictures at all times. Wide dynamic range (WDR) solves the problem of overlit images by applying dynamic gain.

Power source choices

The FD820M1IRMP5 can be powered in a variety of choices: over the network with 802.3at-compliant PoE+ sources or with 12 Vdc, 24 Vdc or 24 Vac.

Privacy masks

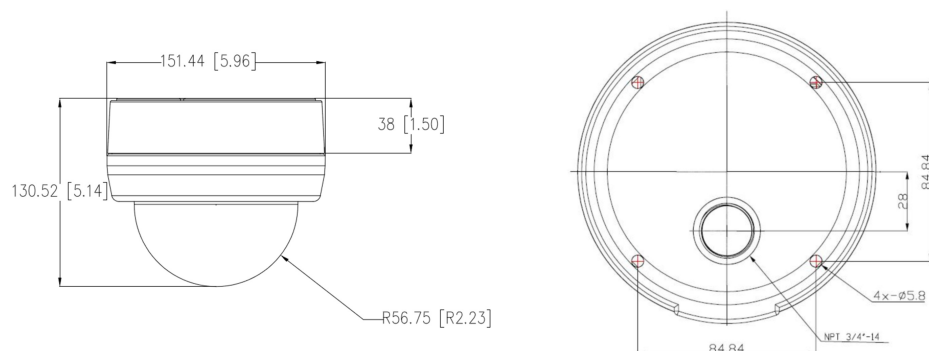
Privacy masks cover sections of the image. This feature is often requested for such situations as city centre surveillance and point of sale keypads.

Commercialisé par CONNECTINFO - ZAE LES POINTES 60230 CHAMBLY - France
tel : 01-30-28-90-20 - info@connectinfo.fr - www.connectinfo.fr-



Technical Specifications

FD820M1IRMP5



Camera

Image sensor	1/2.5" CMOS 5.0 Megapixel, progressive scan
Pixel count	2592 (H) x 1944 (V)
Shutter speed	1 - 1/10000 s
Lens	3.3 to 10.5 mm, F1.4
Lens type	DC Auto iris, motorised zoom, push-to-focus
Minimum scene illumination (30 IRE)	0.2 Lux colour, 0.02 lux (b/w) at F1.4
Horizontal field of view	87.9° (W) - 27.3° (T)

Functions

Privacy masks	5
Image rotation	Normal/flip/mirror/rotate (-90°/+90°/180°)
Video motion detection	On/off/by schedule
Tamper monitoring	On/off/by schedule
On-screen display	Time / date / time & date Text: 12 characters, subtitle: 3 rows of 16 characters Image

Image control

Backlight compensation	On/off
Wide dynamic range	On/off
WDR value	69 dB
Contrast	Manual
Brightness	Manual
Saturation	Manual
Hue	Manual
Sharpness	Manual
White balance	AWB, ATW, Manual, One push
Noise reduction	3D and/or SPQ (Smart Picture Quality) / Off
Iris control	DC iris
Exposure	Auto/manual
Day/night (IR-cut filter)	Auto/on/off/smart
Day/night (IR-cut filter) + IR LEDs	Auto / LED on / LED off / smart IR / light sensor
Digital zoom	8x
Automatic gain control	Max. level configurable

Technical Specifications

FD820M1IRMP5

Video

Compression algorithm(s)	H.264 (ISO/IEC 14496-10); MJPEG
Number of compression instances	Dual streams: H.264 + MJPEG / H.264 + H.264
Supported resolutions	2592x1944 (5 MP); 1920x1080 (1080p); 1280x1024; 1280x720 (720p); 1024x768; 800x600; 720x480 (D1); 640x480; 352x240 (CIF)
Compression capabilities	
12 fps	MJPEG or H.264 in 5 MP
25/30 fps	MJPEG or H.264 in 1080p H.264 in 1080p + H.264 in D1 or MJPEG in D1
13/15 fps	MJPEG in 1080p + H.264 in 1080p
Compression bit rate control	Constant bit rate (CBR), variable bit rate (VBR)
Output bit rate (per H.264 stream)	Up to 8192 kbit/s
Number of video output streams	Up to 20 (RTSP)
Total output data rate	Up to 32 Mbit/s
Video frame rate	1 to 25 fps / 1 to 30 fps
Analogue video output	PAL/NTSC
Connector type	BNC (1.0 Vpp in 75 Ω)

Audio

Two-way audio	Line out, line in / mic in
Compression	G.711, 8 kHz, A-law, μ -law, 64 kbit/s; G.726, 8 kHz, 40 kbit/s
Connector type	4-pin wire clamp connector

Contact closures

Input	5 V 10 kΩ pull-up
Output	Photo relay output 300 Vdc/ac
Connector type	4-pin wire clamp connector

Storage

Storage options	Micro SD card, 64 GB
-----------------	----------------------

Network

Interface(s)	10/100 Ethernet
Network protocols	IPv4/v6, TCP/IP, UDP, RTP, RTSP, HTTP, HTTPS, ICMP, FTP, SMTP, DHCP, PPPoE, IGMP, PNAC (IEEE 802.1x), QoS, PoE
Connector type	RJ-45

Management

Supported browsers	Internet Explorer (6.0+), Chrome, Firefox, Safari
Security	HTTPS, IP Filter, PNAC (IEEE 802.1x)
Protocols	UPnP, SNMP, ONVIF Profile S
Password levels	User and Administrator
User accounts	20

Technical Specifications

FD820M1IRMP5

Powering

Power consumption

System	Max. 5.0 W
IR LED	Max. 3.0 W
Heater	Max. 7 W
Motorised lens	Max. 3.6 W
Power	24 Vac / 12 Vdc / 24 Vdc / 802.3at PoE+
Power connector	3-pin terminal block
Power adapter (included)	110 - 230 Vac to 12 Vdc, 1.5 A 50/60 Hz

Environmental

Operating temperature	-40 °C to +50 °C (-40 °F to +122 °F)
Relative humidity	10% to 90%, no condensation
Ingress protection	IP66
Impact rating	IK10

Mechanical

Dimensions	Ø151 x 130 mm (Ø5.96 x 5.14 in)
Weight	800 g (1.8 lbs)
Colour	RAL 9003 (Signal white)
Built-in IR illuminator (optional)	
Working distance	Up to 25 m
Wavelength	850 nm
Number of LEDs	23
Connectors	Located on internal printed circuit board

Ordering information

Models	Description
FD820M1IRMP5	Network fixed dome camera, 5 MP, CMOS, H.264/MJPEG, motorised lens, IR, IP66
WM02/FD6	Tube adapter / pendant mount for FD6x/82x-series, outdoor
CM06	Flush mount kit for FD6x/82x-series
DC16FD	Smoked bubble accessory, FD6x/82x series



The quality management system used in the development, production, sales, and support of this product is ISO 9001:2008 certified by LRQA.

© Siquira B.V. 2015 - Version 1.0 - Subject to modification.

