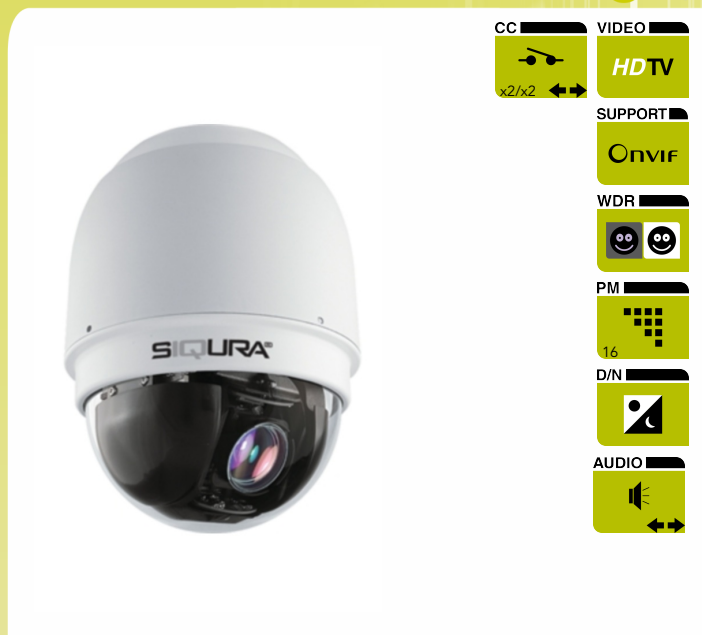


## Features

- Full HD 1080p resolution
- Dual stream H.264/H.264 or H.264/MJPEG
- 20x optical zoom/8x digital zoom
- Optical output/analog output options
- Day/night with IR-cut filter/WDR/BLC
- 400°/second preset targeting
- 360 degree continuous rotation
- 256 presets/8 programmable cruises
- 2 alarm inputs/2 outputs
- Two-way audio
- 16 privacy masks



## HSD820H2-I

### High Definition Indoor PTZ with dual stream H.264

#### Description

The Siqura® HSD820H2-I is an indoor High Speed PTZ dome camera with exceptional imaging controls providing high definition (1080p) pictures for highly detailed surveillance footage.

#### High-Speed Dome

The HSD820H2-I high-speed PTZ dome camera has a 20x autofocus zoom lens with 8x digital zoom. Precision 400° per second pan and tilt drive technology offer almost instant preset positioning. Support for many presets, cruises, and sequences provides for highly flexible manual or automatic operation.

#### Multistream high definition

The HSD820H2-I series cameras have dual-stream capability for simultaneous streaming of H.264/H.264 or H.264/MJPEG. Full HD 1080p streaming with a D1 second stream or dual 720p streams is possible. Multiple combinations of resolution and frame rate can be configured to satisfy different live viewing and recording scenarios.

#### Open standards

Multiple options are available to easily integrate the HSD820H2-I to a video management system. In support of open standards, the HSD820H2-I is compliant with both the ONVIF specification and Siqura's Open Streaming Architecture (OSA) HTTP API.

#### Day/night, backlight compensation, and wide dynamic range

The HSD820H2-I provides automatic day/night functionality, for use in low light situations. Backlight compensation enhances image visibility in difficult lighting situations. This ensures quality pictures at all times. Wide dynamic range solves the problem of overlit images by taking the better of two pictures with different light references.

#### Audio, I/O contacts, and analog output

By combining streaming video with duplex audio and I/O contacts over IP, the HSD820H2-I provides all the interfaces necessary for any IP CCTV application. The HSD820H2-I is a hybrid solution and can provide local video for a public view monitor or local DVR.

#### Privacy masks

Privacy masks cover sections of the image. This feature is often requested for such situations as city centre surveillance and point of sale keypads.

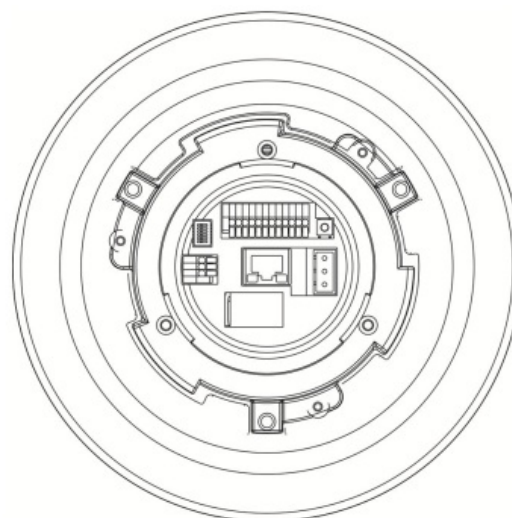
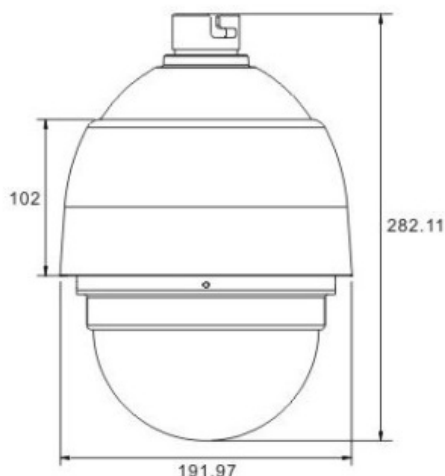
#### Fiber option

In addition to the RJ-45 interface, an SFP interface comes standard with the HSD820H2-I for direct connection of fiber to the camera. The XSNet™ range of SFP modules, with options for both single mode and multimode is available. The SFP interface is built into the device itself so a wide range of mounting options is available.



# Technical Specifications

## HSD820H2-I



### Camera

Image sensor	1/2.8" Progressive scan CMOS
Electronic shutter	1/30~1/10000s
Minimum scene illumination	0.3lux colour, 0.04lux (b/w), 1/30 sec shutter, 30IRE, F1.6
Focal length	4.7 to 94mm
Focus mode	Auto/manual

### Pan / Tilt

Pan travel	360° continuous
Tilt travel	-10°~190°
Preset speed	5°~400°/s
Manual speed	0.5°~90°/s
Presets	256 presets
Preset accuracy	+/- .100°
Cruise	8
Sequence	8
Auto pan	4
Proportional pan and tilt	On/off
Resume after power loss	Yes
Home function	Preset, sequence, auto pan, cruise
Auto flip	Mechanical/off

### Functions

Privacy masks	16
Image rotation	Normal, flip, mirror, 180°
On-screen display	Date, time, and title (20 characters)
Local recording	Continuous, scheduled, alarm
Video motion detection	On/off
Tamper monitoring	On/off

# Technical Specifications

## HSD820H2-I

### Image Control

Wide dynamic range	On/off
Backlight compensation	On/off
White balance	Auto/indoor/outdoor/ATW/manual
Iris control	Auto/manual
Sharpness	15 levels
2D Noise reduction	On/off
Automatic gain control	Auto/manual
Day/night (IR-cut filter)	Auto/on/off
Digital zoom	8x
Optical zoom	20x

### Video

Video standards	NTSC, PAL
Number of video streams	2x H.264 or H.264/MJPEG
Frame rate	1-30fps (NTSC), 1-25fps (PAL)
Compression algorithm(s)	H.264 (ISO/IEC 14496-10)
Supported resolutions	1080p (1920x1080); 720p (1280x720); 1024x768; 800x600; D1 (720x480); CIF (352x240)
Streaming capabilities	
Stream 1	H.264 - 1080p30 H.264 - 1080p15 H.264 - 720p30
Stream 2	H.264 - D1 30fps MJPEG - D1 30fps H.264 - 1080p15 MJPEG - 1080p15 H.264 - 720p30 H.264 - 720p30 MJPEG - 720p30
Analog output	BNC (1.0Vpp)

### Audio

Two-way audio	G.711, 8 kHz, A-law, $\mu$ -law, 64 kbit/s; G.726, 8 kHz, 40 kbit/s
---------------	---

### Contact closures

Inputs	2- 5V 10k $\Omega$ pull-up input
Outputs	2- photocoupler transistor output
Reactions	Preset, sequence, auto pan, cruise

### Network

Interface(s)	10/100Mb Ethernet
Protocols	IPv4/v6, TCP/IP, UDP, RTP, RTSP, HTTP, HTTPS, ICMP, FTP, SMTP, DHCP, PPPoE, UPnP, IGMP, SNMP, IEEE 802.1x, QoS, ONVIF
Connector type	RJ-45 or SFP

### Storage

Storage options	Micro SD card, 32 GB
-----------------	----------------------

# Technical Specifications

## HSD820H2-I

### Powering

Power consumption	20W
Power	19.2 - 28.4VAC (24 VAC nominal +/- 20%), 802.3at Power-over-Ethernet (PoE+)

### Environmental

Operating temperature	0°C to +40°C (+32°F to +104°F)
-----------------------	--------------------------------

### Mechanical

Dimensions	Ø191.97 × 282.11mm (Ø7.55 × 11.1in)
Weight	2.32kg (5.11lbs)
Housing	Aluminium
Colour	RAL 9003 (signal white)
Sunshield	ABS/polycarbonate blend
Bubble	Optically clear polycarbonate
Impact rating	IK10

### Ordering Information

Models	Description
HSD820H2-I	High-speed PTZ dome camera, dual H.264, HD 1080P, 20x optical zoom, indoor mount, 50/60hz
PA01 /EU	Power supply, 230VAC, EU plug to 24VAC, tinned leads, 1.5A, indoor
PA01 /UK	Power supply, 230VAC, UK plug to 24VAC, tinned leads, 1.5A, indoor
PA01 /US	Power supply, 110VAC, US plug to 24VAC, tinned leads, 1.5A, indoor
PA02 /EU	Power supply, 230VAC, EU plug to 24VAC, tinned leads, 3.0A, indoor
PA02 /UK	Power supply, 230VAC, UK plug to 24VAC, tinned leads, 3.0A, indoor
PA02 /US	Power supply, 110VAC, US plug to 24VAC, tinned leads, 3.0A, indoor
CM07	Recessed mount (flush kit), HSD820H2-I
WM05	Corner plate, compatible with WM01A and WM07A
WM06	Wall box mounting, compatible with WM01A and WM07A
WM08	Tube adapter (pendant), HSD820H2-I
PM01	Pole thin direct mounting, compatible with WM01A and WM07A
PM02	Pole wide direct mounting, compatible with WM01A and WM07A
PM03	Pole thin box mounting, compatible with WM01A and WM07A
PM04	Pole wide box mounting, compatible with WM01A and WM07A
PM05	Swan neck tube
PTM01	1-1/2" pipe thread adapter
XSNet SFP MM/850	2-fiber multimode SFP, 100/1000Base-FX
XSNet SFP MM/1310	Single-mode SFP, 100Mb only
XSNet SFP SM/10	Single-mode SFP, dual LC connector
XSNet SFP SM/BidiA	1-fiber single-mode SFP, SC connector
XSNet SFP SM/BidiB	1-fiber single-mode SFP, SC connector
XSNet SFP SM/60	Long distance single-mode SFP, dual LC connector
XSNet SFP SM/CWDM	CWDM SFP, dual LC connector
MFM	Multifunction monitor



The quality management system used in the development, production, sales, and support of this product is ISO 9001:2008 certified by LRQA.

© Siquira B.V. - January 2013 Version 1.0 - Subject to modification.

